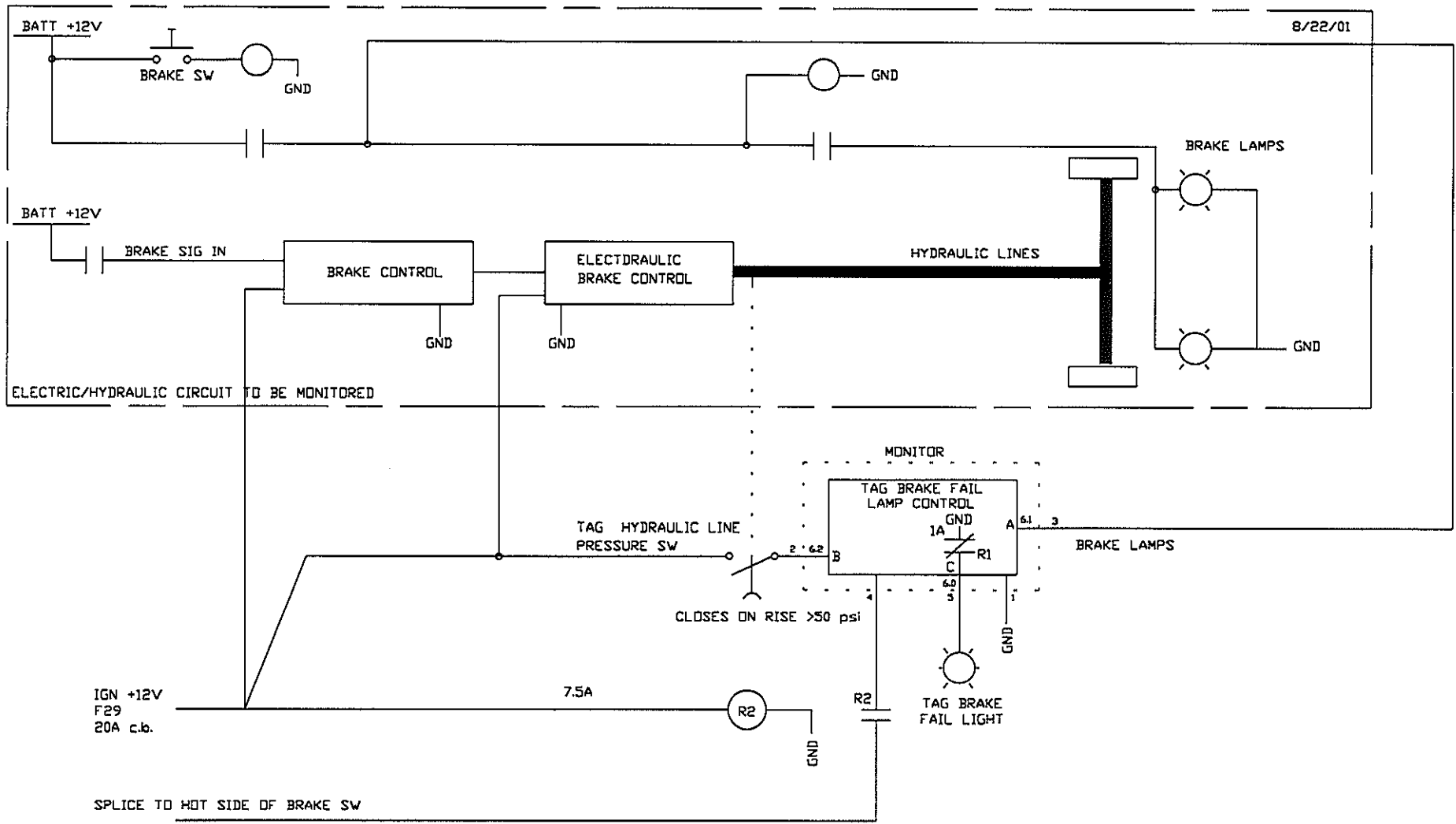


NOTE: REMOVE MASTER BRAKE UNIT AND INSTALL CARUSLE USING ADAPTER BRACKET.

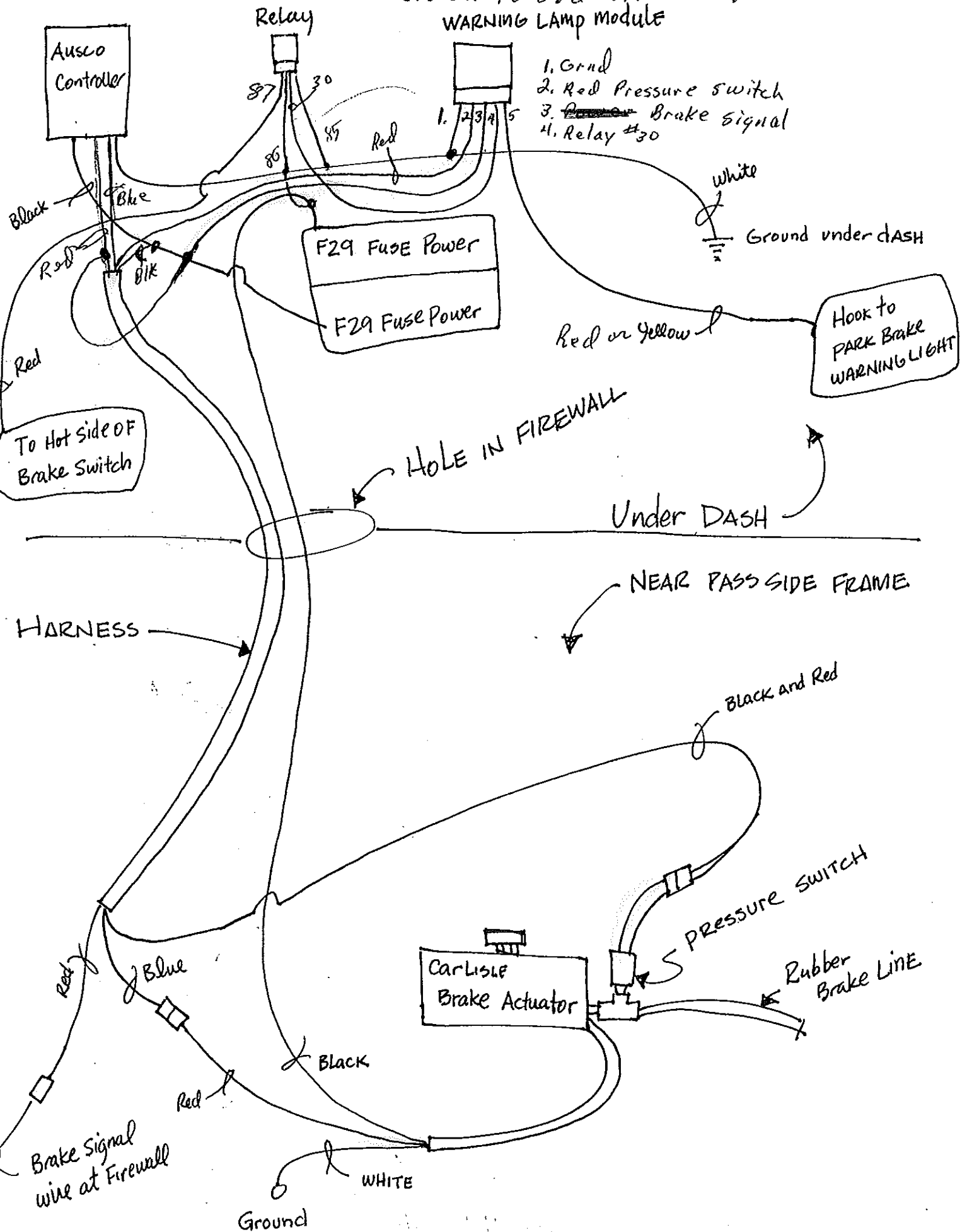
Carleton

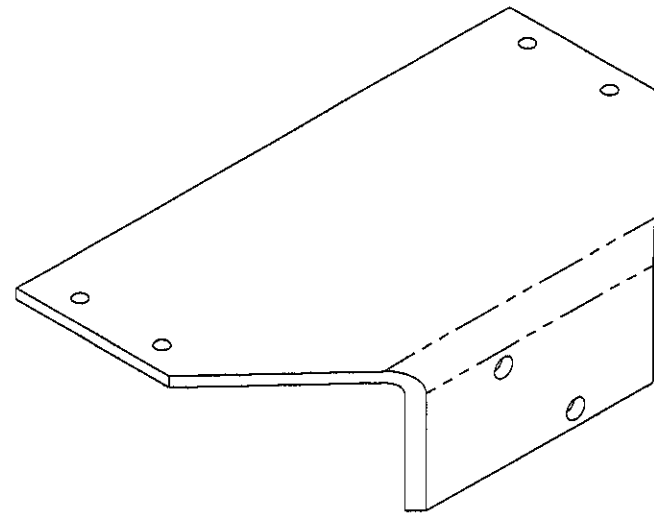
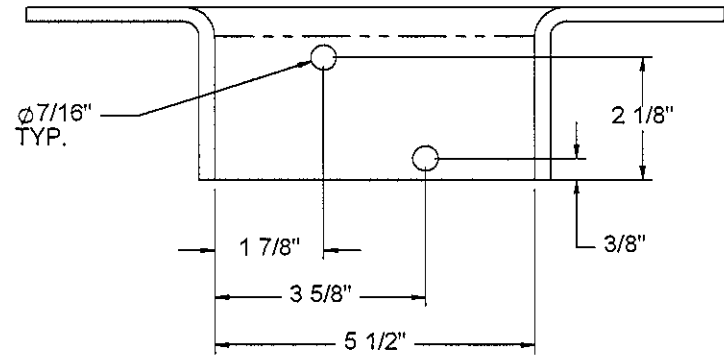
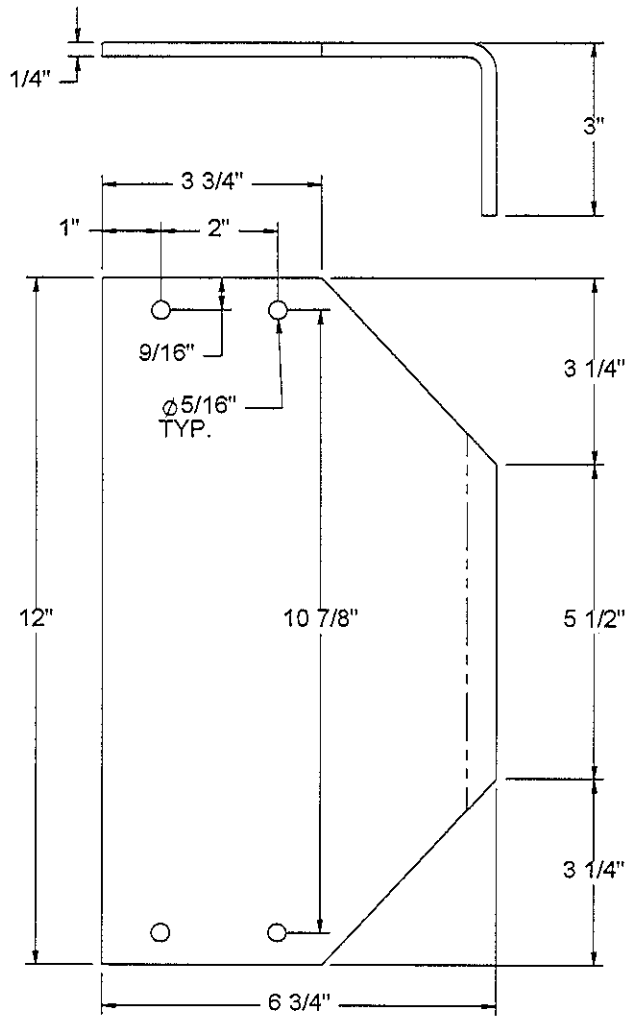
R2



updated 7-24-02

mod 4 - 30 on Relay
Brown to Gnd other to power
WARNING LAMP module





NEWMAR CORP
 P.O. Box 30,
 Nappanee, IN. 46550

Model:

NEWCO

Sheet

1 OF 1

Drawn by:

M. SIKORA

Checked by:

Revision:

By:

Title block--1-2fulTB

Title:

AUSCO TO MASTER BRAKE MOUNT

I.D. #:

Date:

6/4/01

Date:

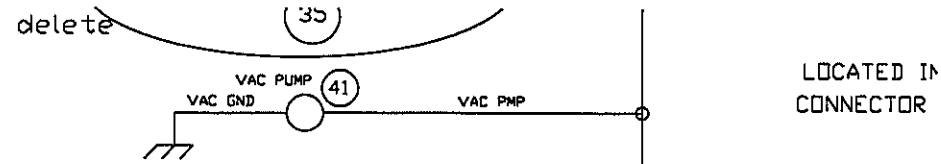
Revision:

Date:

By:

Date:

*most
Brake*



TRANS ABS INPUT
TRANS GND

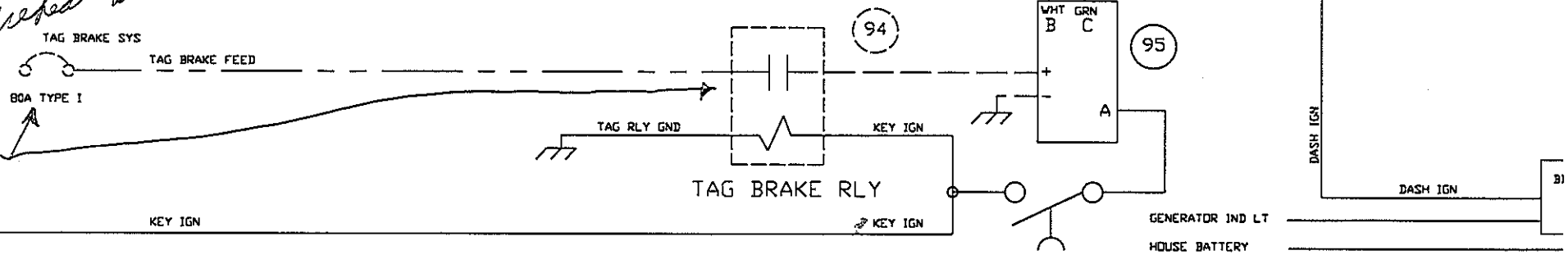
TRANS ABS I
TRANS GND

TAG BRAKE

*located near
phanton lines*

PHANTON LINES NOT IN HARNESS

*Eng
comp*



NEWMAR CORP P.O. Box 30, Nappanee, IN. 46550	Model:	Sheet	Drawn by:	Checked by:	Rc
	NEW AIRE	4 OF 5	E. THOMAS		
Title block--1-2fulTB	Title:	I.D. #	Date:	Date:	Rc
	DIAGRAM, WIRING, CHASSIS NEWCO CHASSIS		4/25/00		