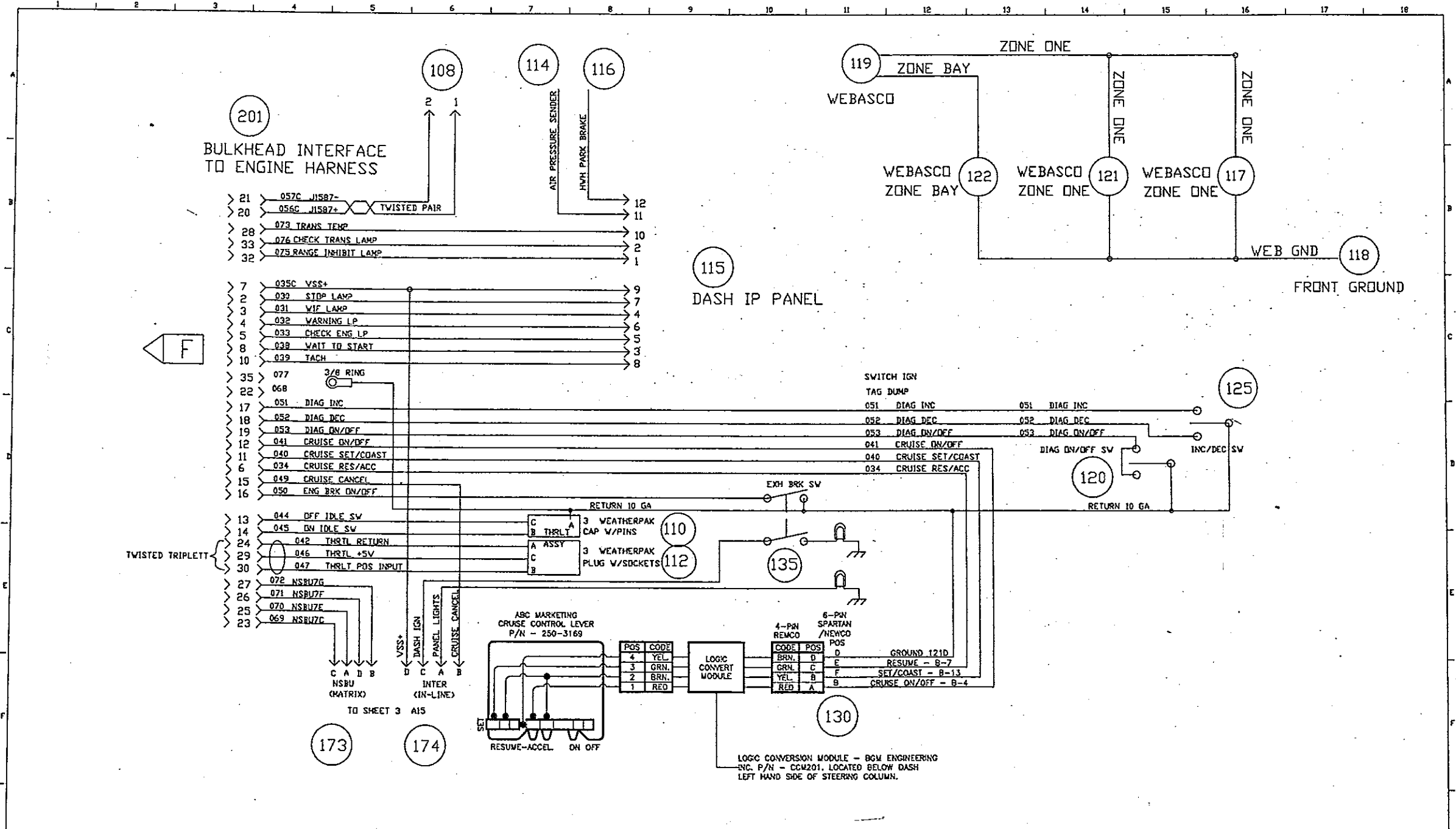


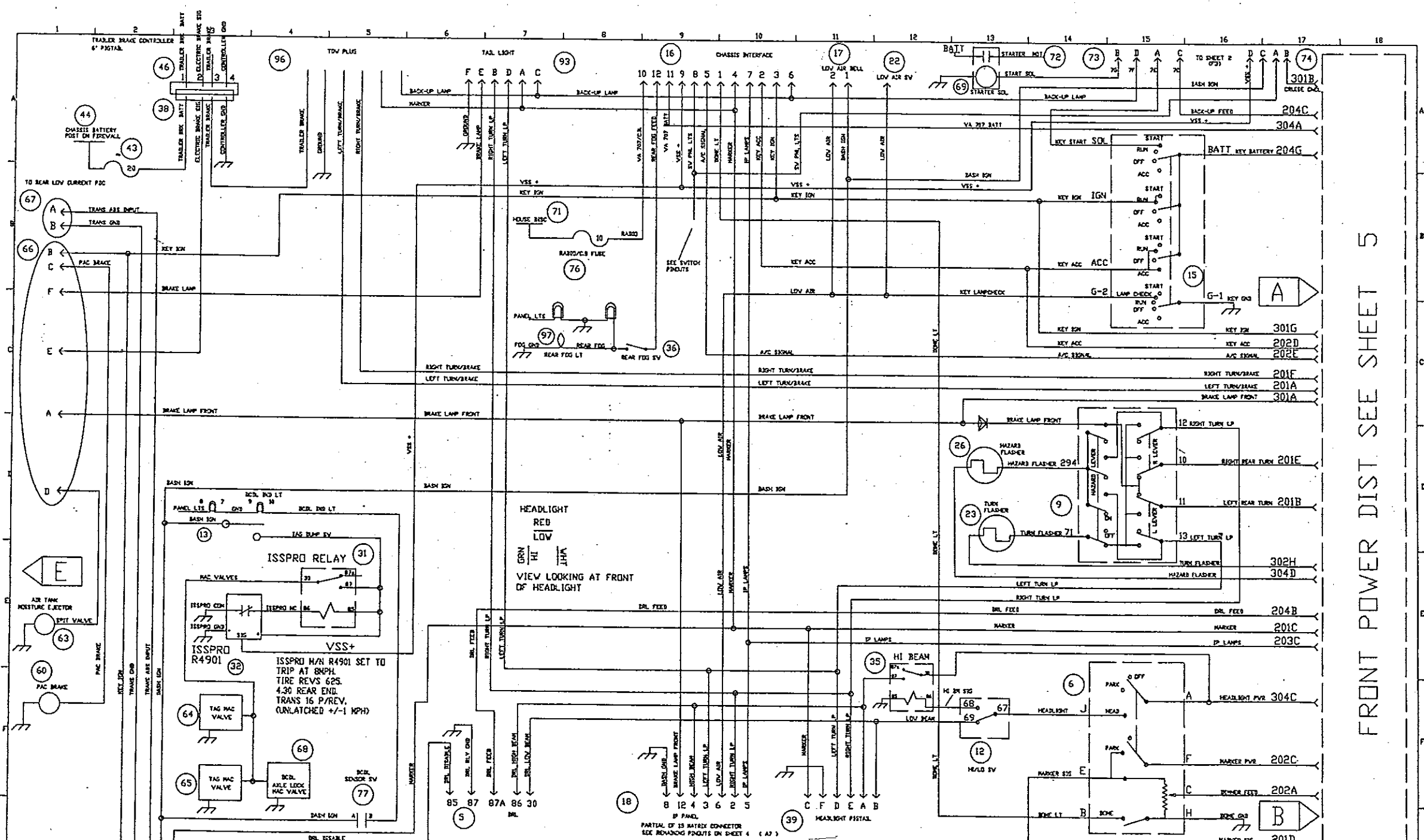
F  
see sheet 2 of 5

F  
see sheet 2 of 5

<b>NEWMAR CORP</b> P.O. Box 30, Nappanee, IN. 46550 Title block--1-2fu118	Model: <b>NEW AIRE</b>	Sheet <b>1 OF 5</b>	Drawn by: <b>E. THOMAS</b>	Checked by:	Revision:	By:
	Title: <b>DIAGRAM, WIRING, CHASSIS          NEWCO CHASSIS</b>	I.D. #	Date: <b>4/25/00</b>	Date:	Revision:	By:



<b>NEWMAR CORP</b> P.O. Box 30, Nappanee, IN. 46550 Title block--1-2/utTB	Model:	Sheet	Drawn by:	Checked by:	Revision:	By:
	NEW AIRE	2 OF 5	E. THOMAS			Date:
	Title:	I.D. #	Date:	Date:	Revision:	By:
	DIAGRAM, WIRING, CHASSIS NEWCO CHASSIS					Date:



FRONT POWER DIST SEE SHEET 5

<b>NEWMAR CORP</b> P.O. Box 30, Nappanee, IN. 46550 Title block--1-2fuitB	Model: NEW AIRE	Sheet 3 OF 5	Drawn by: E. THOMAS	Checked by:	Revision:	By:
	Title: DIAGRAM, WIRING, CHASSIS NEWCO CHASSIS	I.D. #	Date: 4/25/00	Date:	Revision:	Date:



