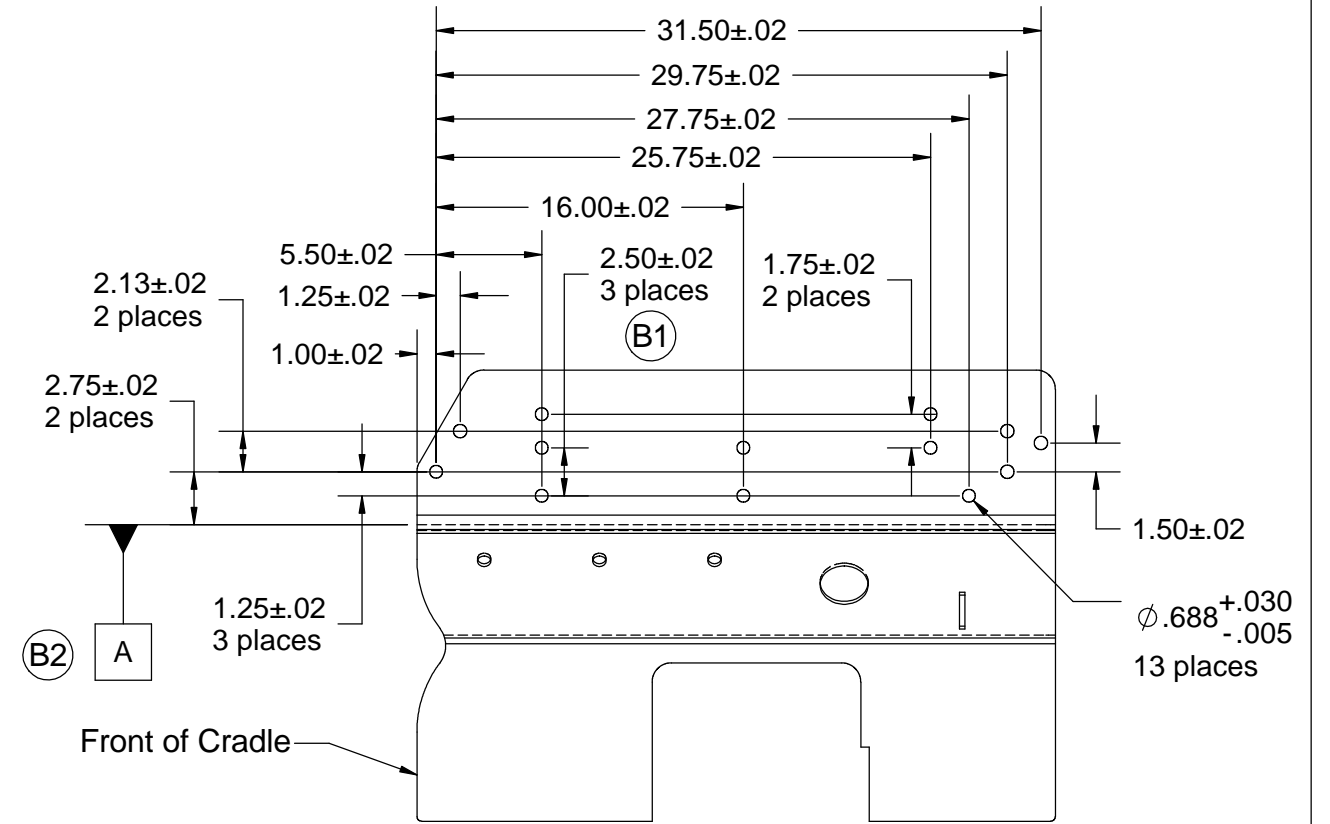
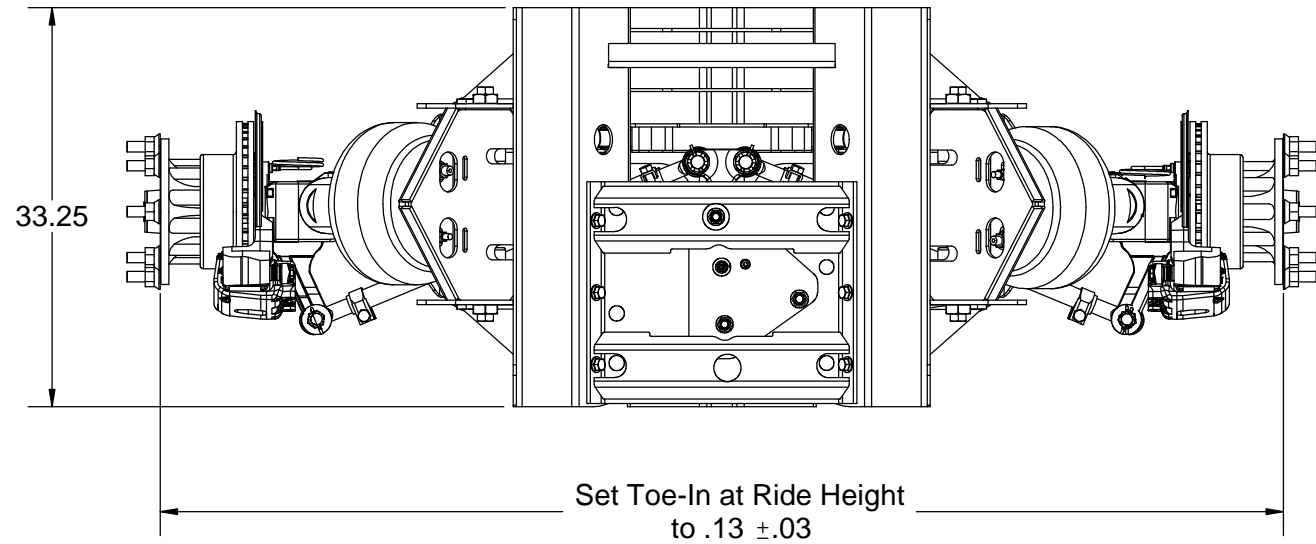
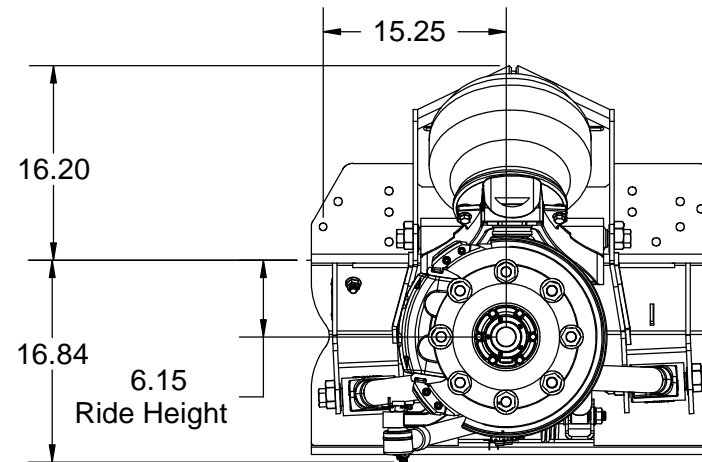
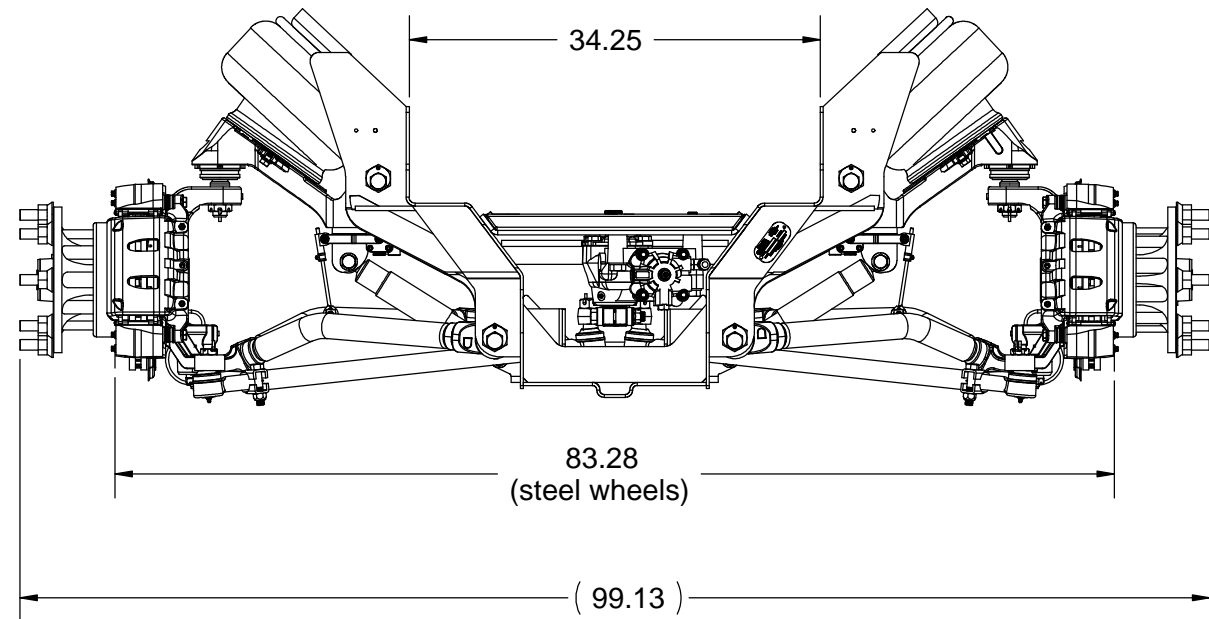




701235



Frame Rail Drilling Detail  
Scale 1=10



Capacity: 8,500 lbs.  
 Jounce: 4 inches  
 Rebound: 4 inches  
 Allowable Tires: 245/70 R19.5  
 Allowable Rim: Accuride 29369A OP (Limited)  
 Accuride 28680 (Classic)  
 Turn Angle: 50° (inside)

B2	08/23/01	Add Datum A	G3695	STM
B1	08/23/01	2 places	3 places	G3695 STM
A	08/01/01	Release to Production	G3172	STM
#	Date	Was	Changed To	ECR By

THIS DRAWING IS THE PROPERTY OF TUTHILL CORPORATION, AND IS NOT TO BE USED IN ANY WAY DETRIMENTAL TO ITS INTERESTS. THIS DRAWING IS SUBJECT TO RETURN UPON REQUEST. ALL COPIES OF THIS ELECTRONIC DOCUMENT, WHETHER ELECTRONIC, PRINTED, OR OTHERWISE, ARE UNCONTROLLED DOCUMENTS.



TOLERANCES UNLESS OTHERWISE SPECIFIED:	
1 PLACE DECIMAL	:± .1
2 PLACE DECIMAL	:± .06
3 PLACE DECIMAL	:± .030
ANGULAR	:± 1°

TITLE IFS850 Assembly, 8,500 lbs.		MODEL IFS850	
DRAWN BY: STM	DRAWING DATE: 7-31-01	SCALE: 1=16 ON SIZE B	
PART NUMBER 701235-02		DRAWING NO. 701235	SHEET 1 OF 1